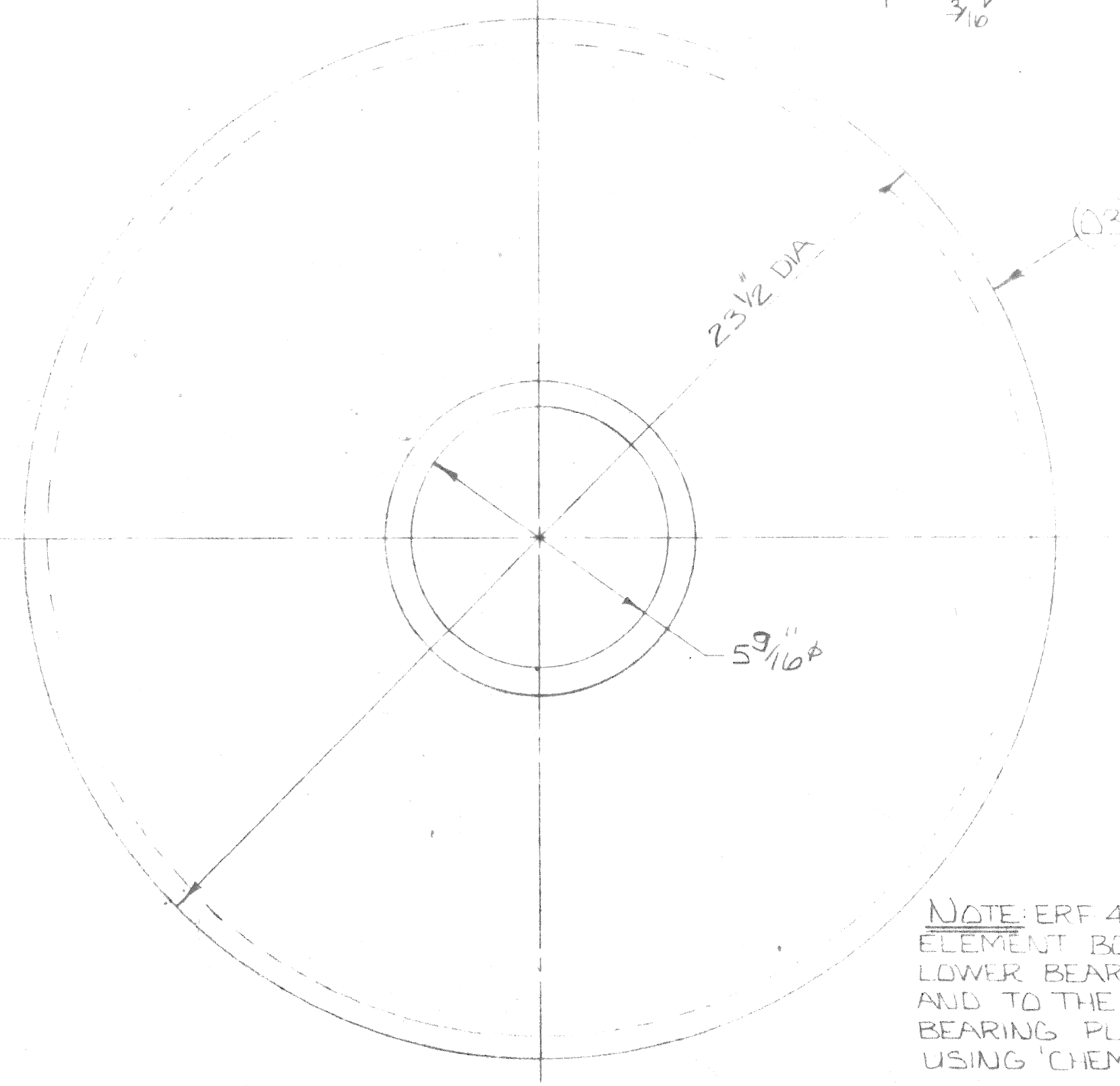
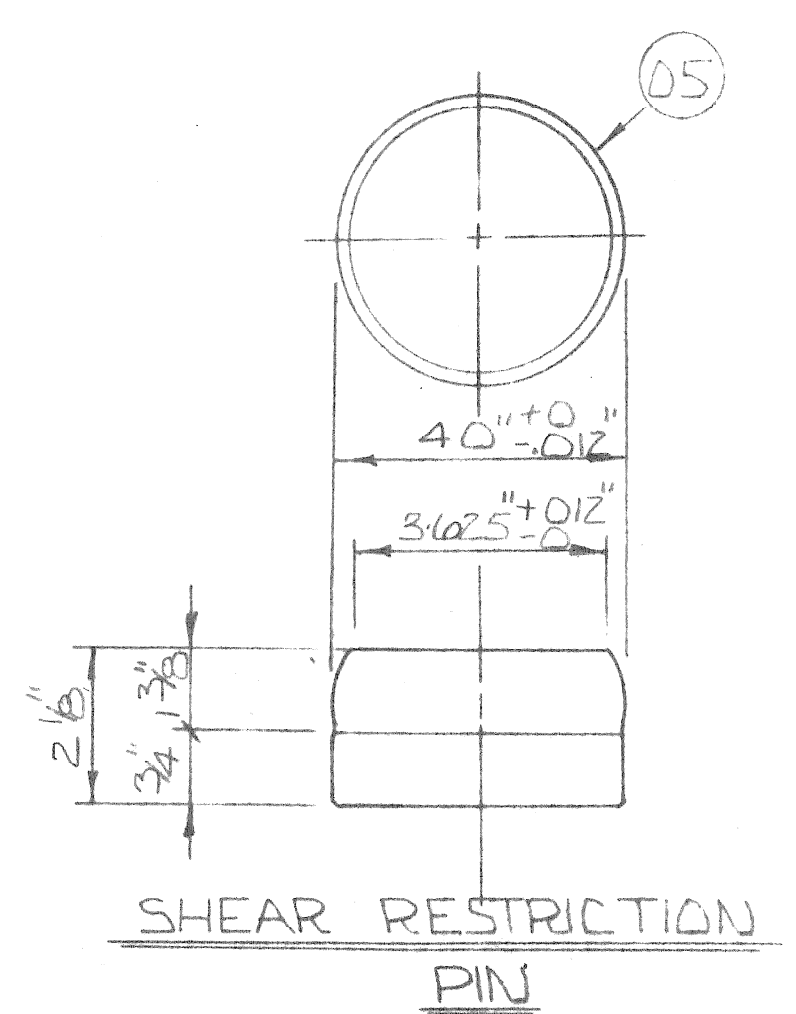
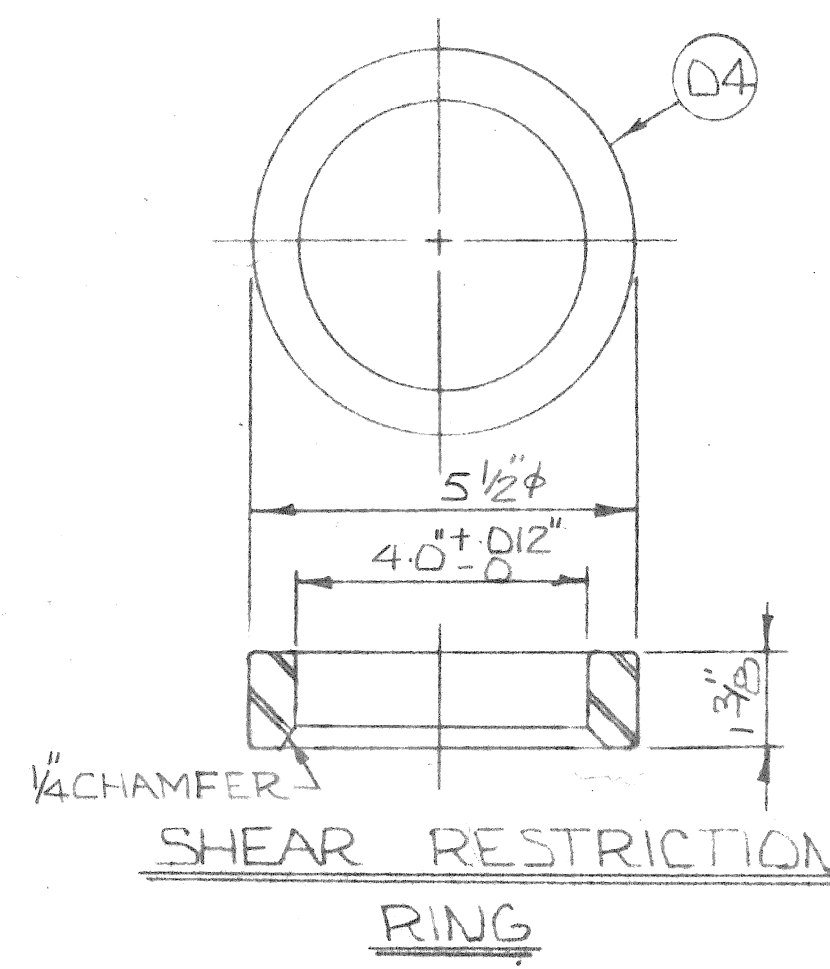
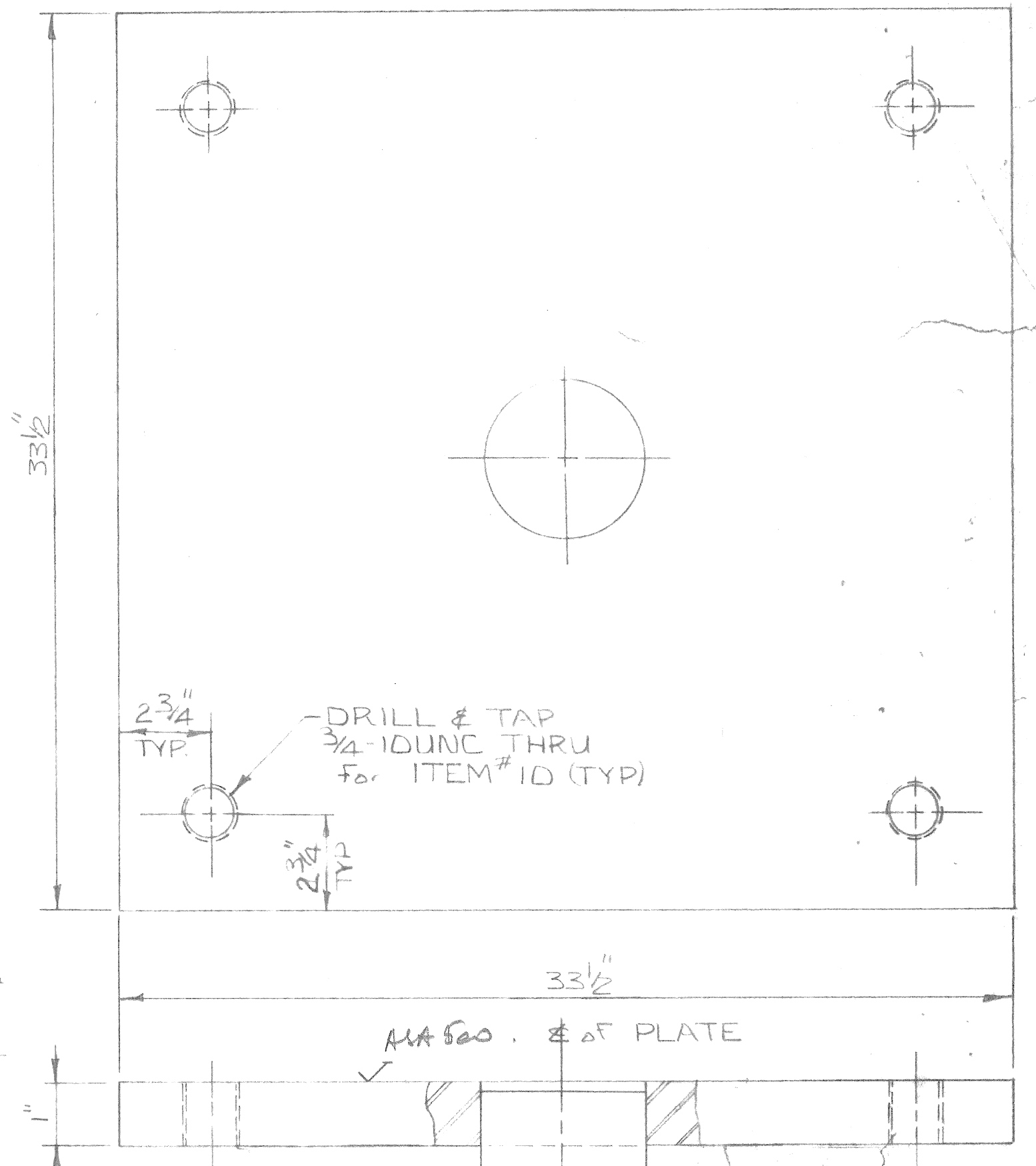
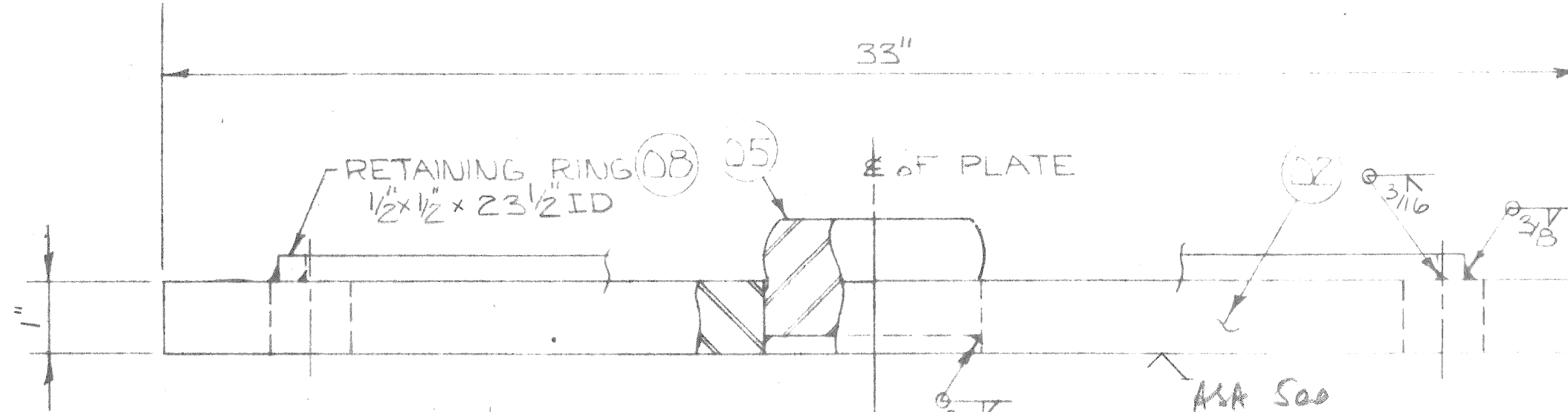
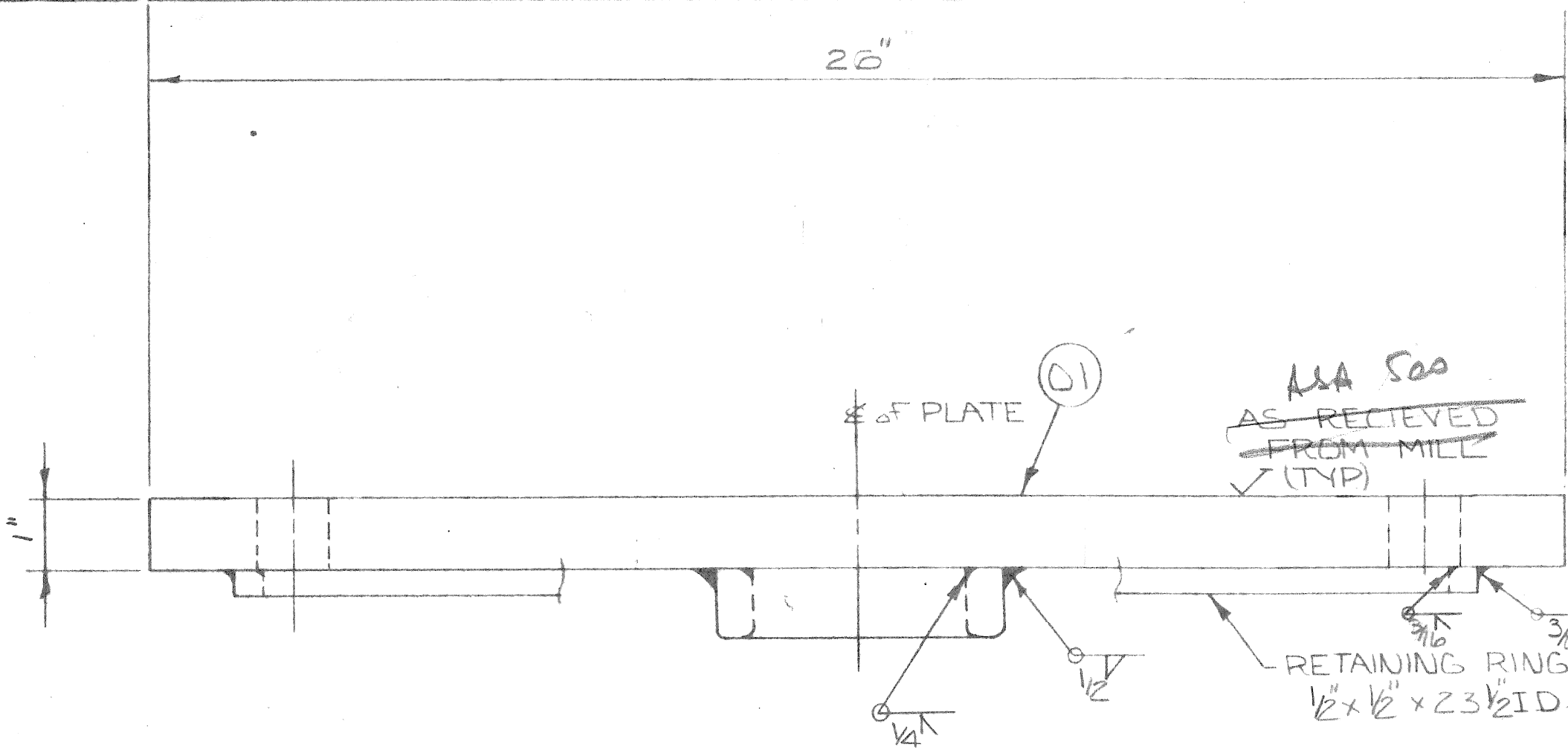
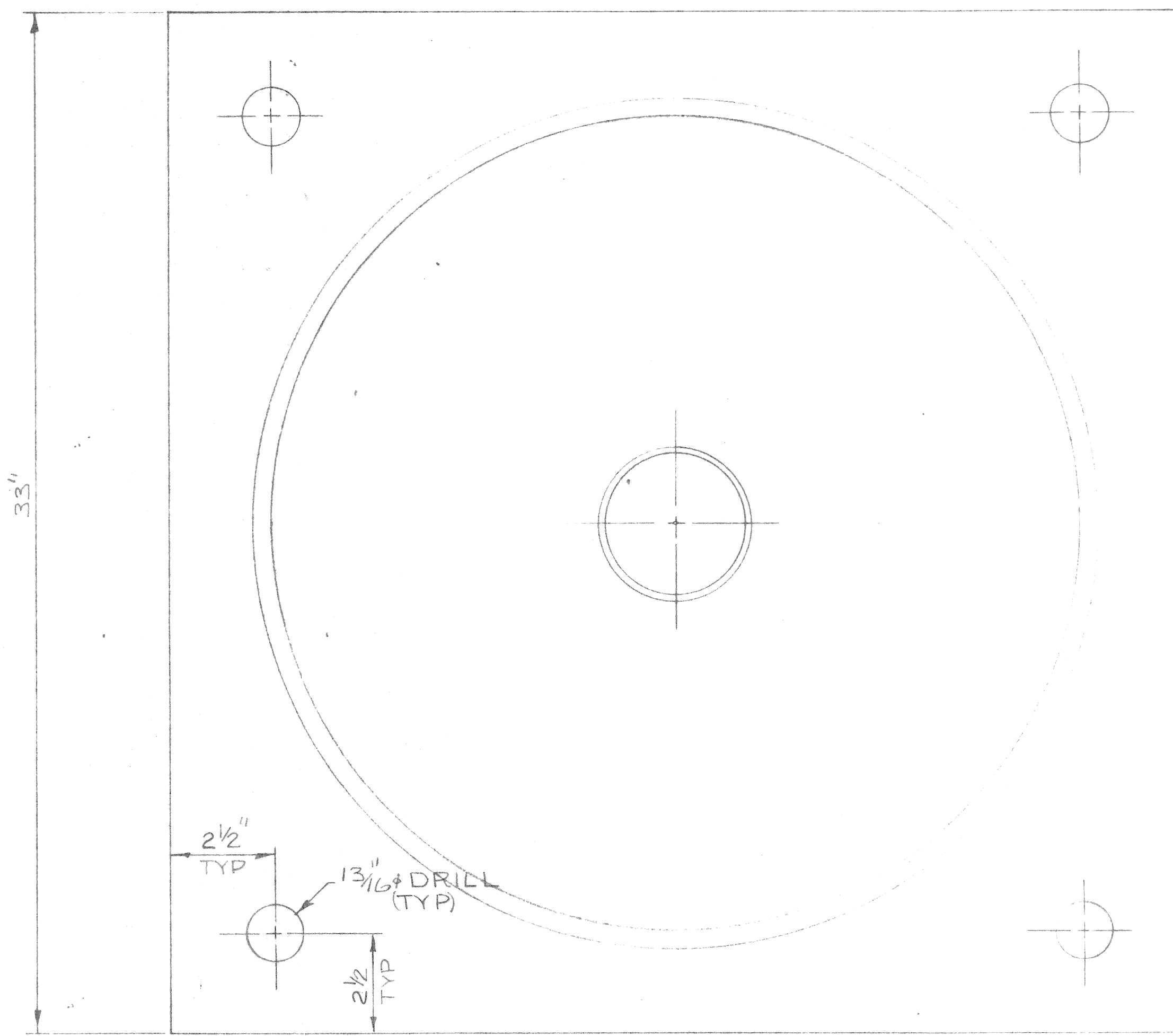
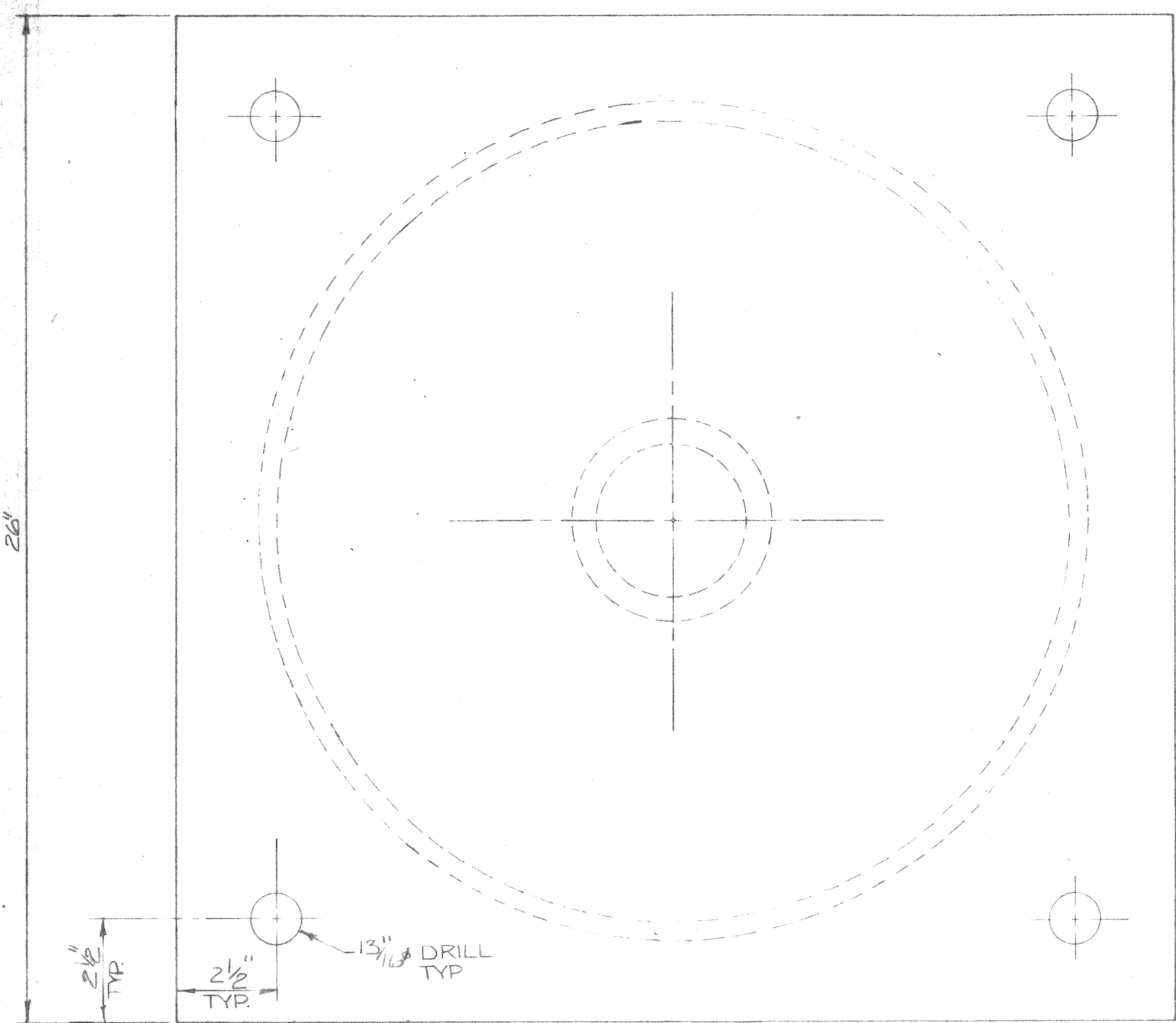


NO	ITEM	DESCRIPTION
4	D1	UPPER PLATE 1"R x 26" x 26"
4	D2	LOWER BEARING PLATE 1"R x 33" x 33"
4	D3	ERF 40 Z URTHANE ELEMENT x 23 1/2"
4	D4	SHEAR RESTRICTION RING 5 1/2" x 1 3/8"
4	D5	SHEAR RESTRICTION PIN 4.0" x 2 1/8"
	D6	
4	D7	CONCRETE ANCHOR PIN 1 1/2" x 6" LG
3	D8	RETAINING RING 1/2" x 1/2" x 23 1/2" ID
4	D9	BASE PLATE 1"R x 33 1/2" x 33 1/2"
16	D10	3/4" x 2LG BOLTS & LOCK WASHER (ST. STL)



NOTE: ERF 40 Z URTHANE ELEMENT BONDED TO TOP OF LOWER BEARING PLATE (ITEM # D2) AND TO THE BOTTOM OF UPPER BEARING PLATE (ITEM # D1) USING 'CHEMLOR 305' ADHESIVE

REID, CROWTHER & PARTNERS LIMITED
REVIEWED ONLY
 MATERIAL MUST MEET REQUIREMENTS OF SPECIFICATIONS AND DRAWING. APPROVAL OF DIMENSIONS AND OTHER GENERAL CONSTRUCTION FEATURES NOT IMPLIED.
 CORRECTIONS ARE REQUIRED WHERE NOTED IN RED
 Project Osborne St. Bridge
 Proj. No. 3077 Slip. Plan Date FEB 17 1976

- NOTE - INFORMATION AND KNOWHOW ON THIS DRAWING IS THE PROPERTY OF ELASTOMETAL LIMITED USE OR REPRODUCTIONS OF THIS DRAWING IS PROHIBITED WITHOUT WRITTEN PERMISSION	DWG. NO.: E-671-1
	PROJECT: OSBORNE ST. BRIDGE
	ELASTOMETAL LIMITED
	DRAWN BY: EVAN TAYLOR PROJECT # 62-71 DATE: JAN 19 76
CHECKED BY:	SHEET 2 OF 2 SCALE: N.T.S.
WABO-FYFE FIXED 500 TON BEARING	